

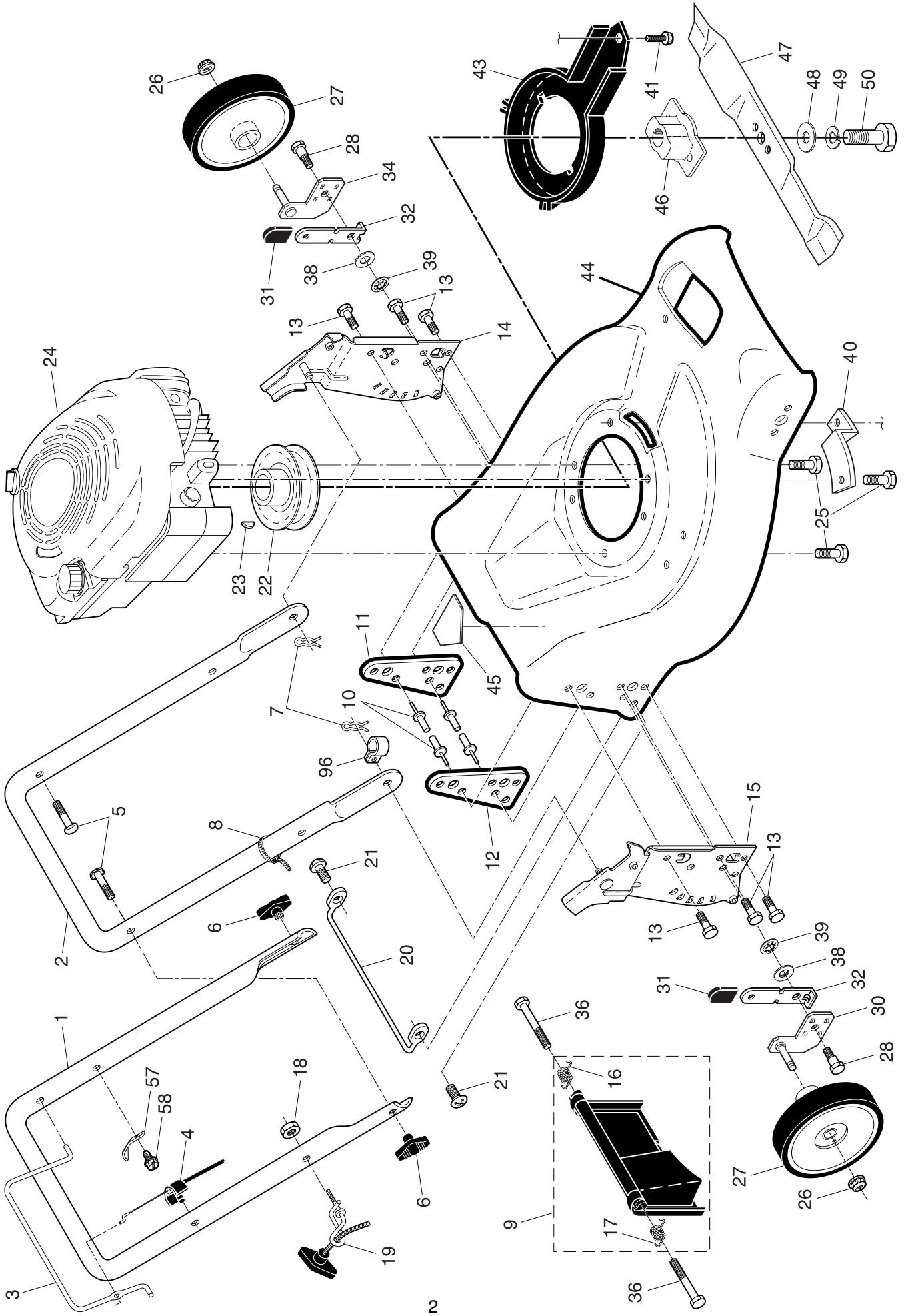
ILLUSTRATED PARTS LIST

MODEL NUMBER PP5051CMD

PRODUCT NUMBER 961 41 00-79

MFG. ID. NUMBER 96141007900

ROTARY LAWN MOWER - - MODEL NUMBER PP5051CMD (96141007900) PRODUCT NUMBER 961 41 00-79

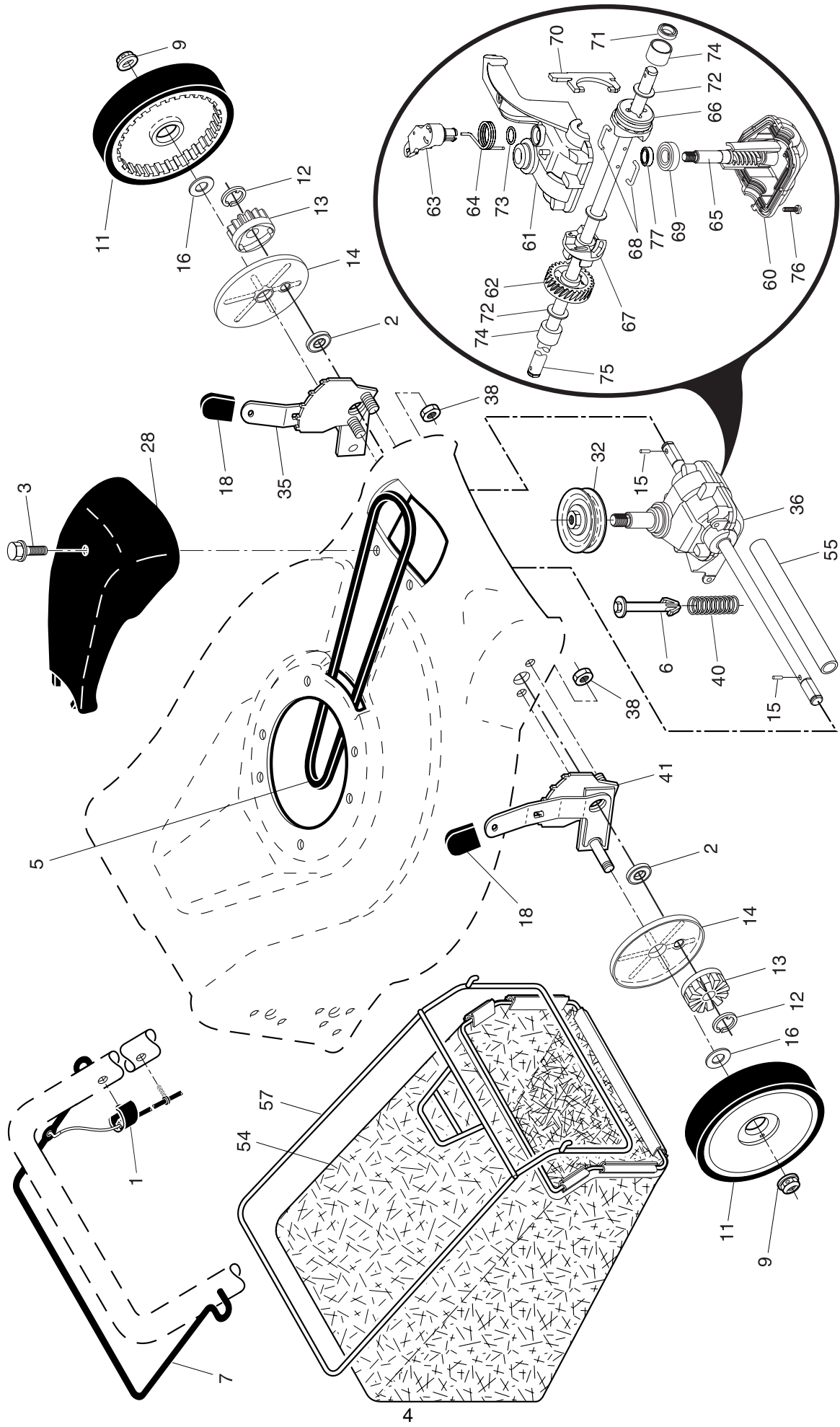


ROTARY LAWN MOWER - - MODEL NUMBER **PP5051CMD** (96141007900) PRODUCT NUMBER 961 41 00-79

KEY NO.	PART NO.	DESCRIPTION	KEY NO.	PART NO.	DESCRIPTION
1	532 19 84-59	Upper Handle	26	532 08 39-23	Hex Flange Nut
2	532 19 36-05	Lower Handle	27	532 19 80-87	Wheel & Tire Assembly
3	532 19 84-64	Control Bar	28	532 18 93-12	Shoulder Bolt 5/16-18 x .33
4	532 18 35-67	Engine Zone Control Cable	30	532 19 54-35	Axle Arm Assembly, Rear, RH
5	532 19 15-74	Handle Bolt	31	532 08 78-77	Selector Knob
6	532 19 19-38	Handle Knob	32	532 19 01-57	Selector Spring
7	532 05 17-93	Hairpin Cotter	34	532 19 54-36	Axle Arm Assembly, Rear, LH
8	532 06 64-26	Wire Tie	36	532 18 41-93	Bolt
9	532 18 04-79	Rear Door Kit (Includes Key #16 and 17)	38	819 17 61-85	Washer
10	532 12 84-15	Pop Rivet	39	532 17 62-35	Pushnut
11	532 18 25-38	Support Bracket, LH	40	532 19 09-39	Mounting Bracket, Debris Shield
12	532 18 25-39	Support Bracket, RH	41	532 19 23-25	Screw
13	817 06 04-10	Screw 1/4-20 x 5/8	43	532 18 87-84	Debris Shield
14	532 19 01-54	Handle Bracket Assembly, LH	44	532 40 07-05	Lawn Mower Housing (Includes Key Numbers 10, 11, 12 and 45)
15	532 19 01-53	Handle Bracket Assembly, RH	45	532 18 21-66	Danger Decal
16	532 18 00-71	Spring, Rear Door, LH	46	532 18 46-32	Blade Adapter / Pulley
17	532 18 00-72	Spring, Rear Door, RH	47	532 19 93-77	Blade 21"
18	532 13 20-04	Keps Locknut 1/4-20	48	532 85 10-74	Hardened Washer
19	532 19 47-88	Rope Guide	49	532 85 02-63	Helical Washer 3/8-24 x 1-3/8 Grade 8
20	532 17 92-05	Foot Guard, C.E.	50	532 85 10-84	Hex Head Machine Screw 3/8-24 x 1-3/8 Grade 8
21	532 05 45-83	Screw, Tapping 1/4-20 x 1/2	57	532 12 51-62	Bracket, Upstop
22	532 18 77-23	Key, Woodruff	58	532 75 06-34	Screw
23	532 18 49-41	Pulley, Drive	96	532 19 79-91	Clip, Cable
24	- - -	Engine, Briggs & Stratton, Model Number 12F802 (Order parts from engine manufacturer)	- -	532 40 06-96	Operator's Manual, Scandinavian
25	532 15 04-06	Screw, Hex Head, Threaded, Rolled 3/8-16 x 1-1/8	- -	532 40 06-94	Operator's Manual, Baltic

NOTE: All component dimensions given in U.S. inches. 1 inch = 25.4 mm. **IMPORTANT:** Use only Original Equipment Manufacturer (O.E.M.) replacement parts. Failure to do so could be hazardous, damage your lawn mower and void your warranty.

ROTARY LAWN MOWER - - MODEL NUMBER PP5051CMD (96141007900) PRODUCT NUMBER 961 41 00-79



ROTARY LAWN MOWER -- MODEL NUMBER PP5051CMD (96141007900) PRODUCT NUMBER 961 41 00-79

KEY NO.	PART NO.	DESCRIPTION	KEY NO.	PART NO.	DESCRIPTION
1	532 19 46-53	Drive Control Assembly (Includes Cable)	55	532 17 57-39	Driveshaft Cover
3	532 17 52-62	Pan Head Tapping Screw #10-24 x 2-3/4	57	532 19 46-43	Frame, Grassbag
5	532 17 54-36	V-Belt	61	532 18 34-97 *	Case, Lower
6	532 15 04-95	Retainer, Spring	62	532 18 34-98 *	Case, Upper
7	532 19 84-53	Control Bar	63	532 18 34-99	Gear, 27 Teeth
9	532 08 39-23	Locknut, Hex	64	532 18 35-00	Lever, Clutch
11	532 19 80-88	Wheel & Tire Assembly	65	532 18 35-01	Spring, Return
12	812 00 00-58	E-Ring	66	532 18 35-02	Shaft, Input
13	532 75 00-03	Gear, Pinion	67	532 18 35-03	Dog, Movable
14	532 18 94-03	Dust Cover	68	532 18 35-04	Dog, Fixed
15	532 19 10-17	Pawl, Drive	69	532 18 35-05	Wire, Formed
16	532 06 77-25	Washer 1/2 x 1-1/2 x .134	70	532 18 35-06	Bearing, Ball
18	532 08 78-77	Selector Knob	71	532 18 35-07	Fork, Shift
28	532 18 14-68	Drive Cover	72	532 18 35-08	Seal, Output Shaft
32	532 19 41-26	Drive Pulley	73	532 18 35-09	Washer
35	532 19 51-10	Kit, Wheel Adjuster, LH (Includes Knob and Bearing)	74	532 18 35-10	Seal, Case
36	532 19 49-35	Gearcase Assembly, Complete	75	532 18 35-11	Bushing
38	873 80 04-00	Locknut, Hex 1/4-20	76	532 19 66-13	Shaft, Output
40	532 13 70-90	Spring	77	532 18 35-13	Screw
41	532 19 51-07	Kit, Wheel Adjuster, RH (Includes Knob and Bearing)	78	532 18 35-14	Seal, Input Shaft
54	532 40 05-59	Grassbag Assembly	--	532 18 34-04	Kit, Gearcase Replacement

* Use Dow Corning #709 to reseal Gear Case Halves.

NOTE: All component dimensions given in U.S. inches. 1 inch = 25.4 mm. **IMPORTANT:** Use only Original Equipment Manufacturer (O.E.M.) replacement parts. Failure to do so could be hazardous, damage your lawn mower and void your warranty.